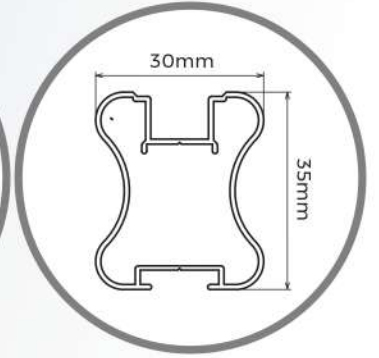
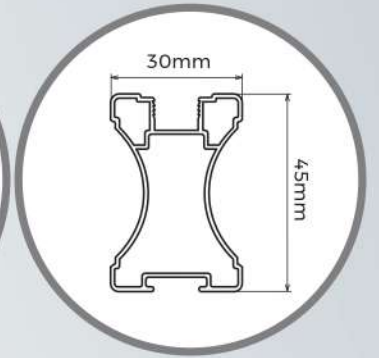


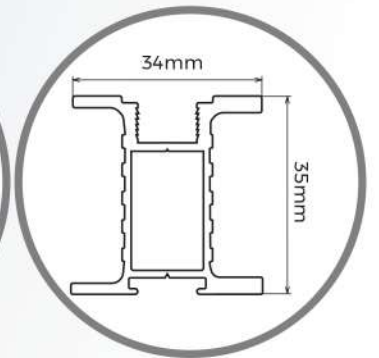
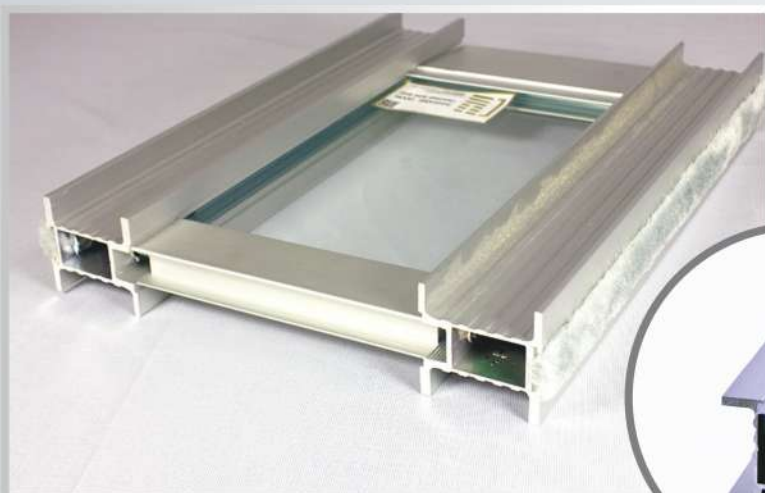
ANTI-JUMP SLIDING DOOR SYSTEM SERIES



AJ 01

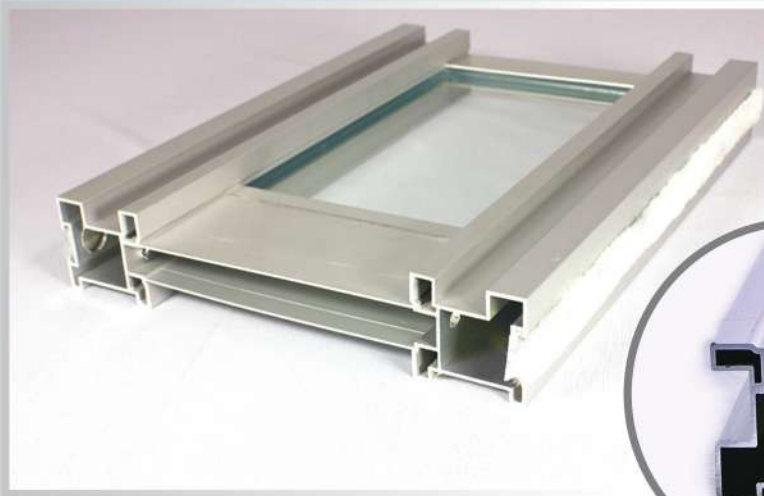


AJ 02

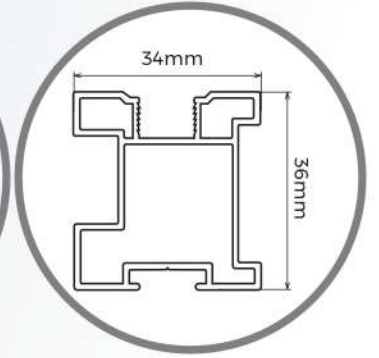
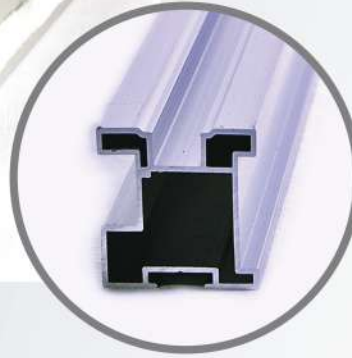


AJ 03

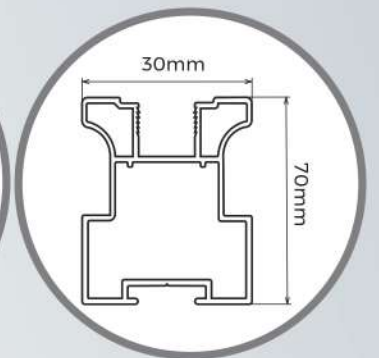
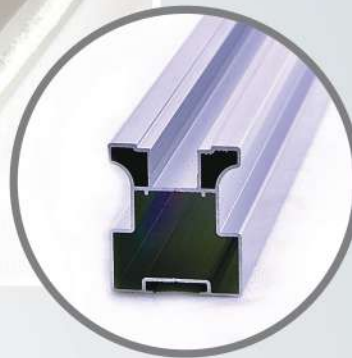
ANTI-JUMP SLIDING DOOR SYSTEM SERIES



AJ 04

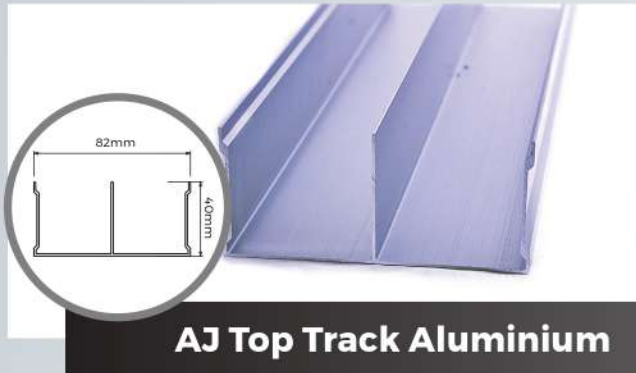


AJ 05

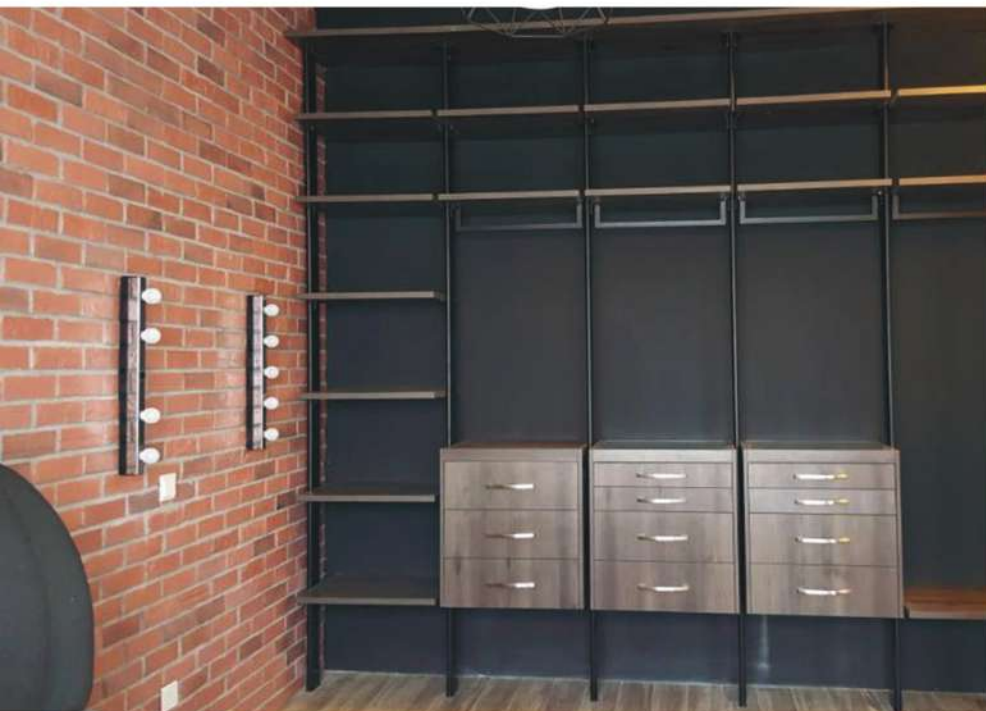


AJ slim

ANTI-JUMP SLIDING DOOR SYSTEM SERIES



OVAL POLE SYSTEM



The Journey of flexible living begins with our in house fabricated Pole System. Our Aluminium Pole System with unique fixtures reaching individual design and function. It is widely installed in wardrobe, work station, display shelf and entertainment system.

FEATURES

- Maximise storage space
- Environmental friendly with no drilling
- Flexible bracket adjustments
- Quick assembly
- Maximise storage space

Specifications



Art C-26.28.826.6136
Brackets for Wooden
Shelf with Cover



Art C-26.33NA
Brackets for
Hanging Rod



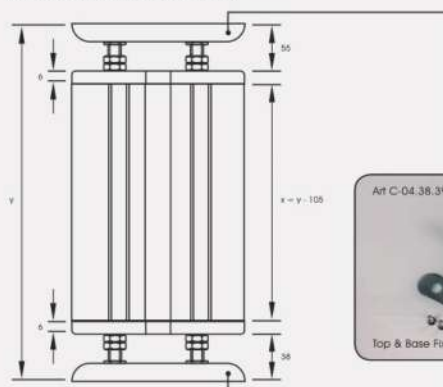
Art P08
Oval Main Pole
Size: 100 X 25mm
Length 2.5mt
3.0mt



Art P83
Hanging Rod
Length 3.0mt
3.66mt



Main Pole Cutting Diagram :



Design for multi purpose racking
with a clean presentation

Features :

- Slim & sleek design
- 2 side utility
- Space saving



Art C-04.38.39NP

Top & Base Fixing Set



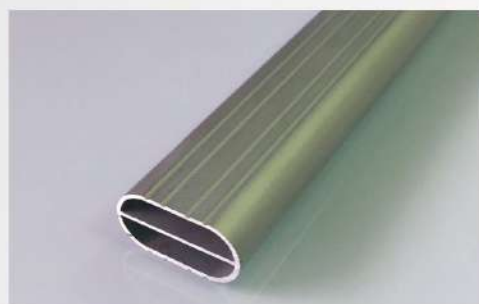
Oval Main Pole



Top & Base Fixing Set



Oval Decor Top & Base Cover



Hanging Rod



Brackets for Hanging Rod



Brackets for Wooden Shelf with Cover



Brackets for Hanging Cabinet



Complete Wall Fixing with Cover



M4 Series Aluminium Door

Accessories & Fittings



M4 FRAME



M4 HANDLE



M4



Anti Jump Door

(A Series)

Model Selection



A1E



A1



AA



A1E-SQUARE

Anti Jump Door (A Series)

Accessories & Fittings



A1E



A1



AA



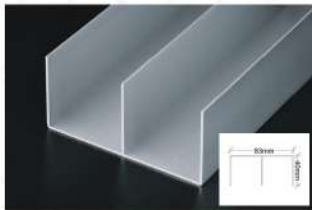
A1E-SQUARE



A2



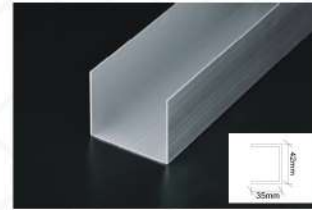
A4



A5



A6



A5-SINGLE



A6-SINGLE



ANTI JUMP SOFTCLOSE



ANTI JUMP SOFTCLOSE



ANTI JUMP ROLLER