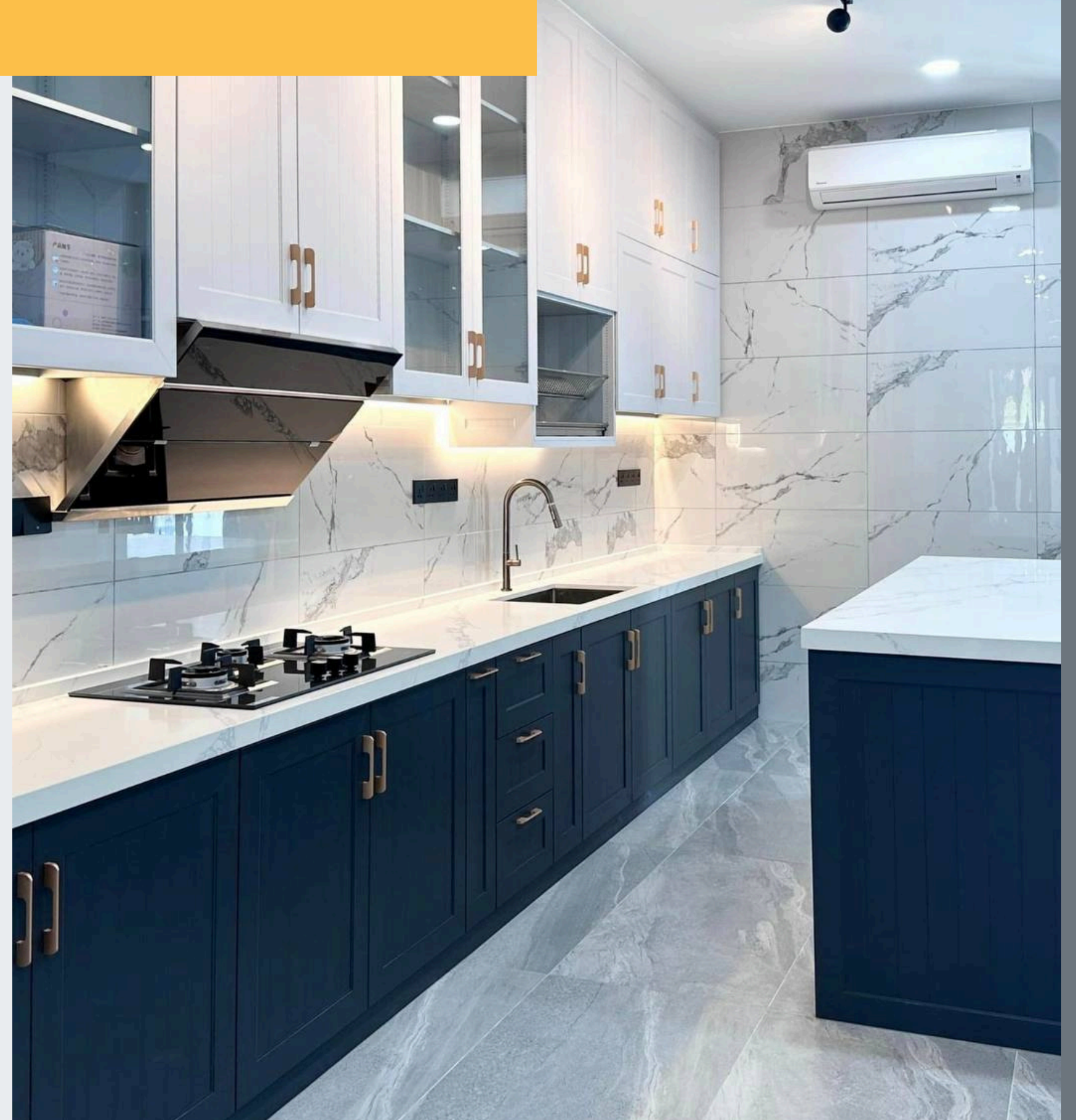


ALUMINIUM KITCHEN SDN BHD



Quality Craftsmanship

Effortless Elegance

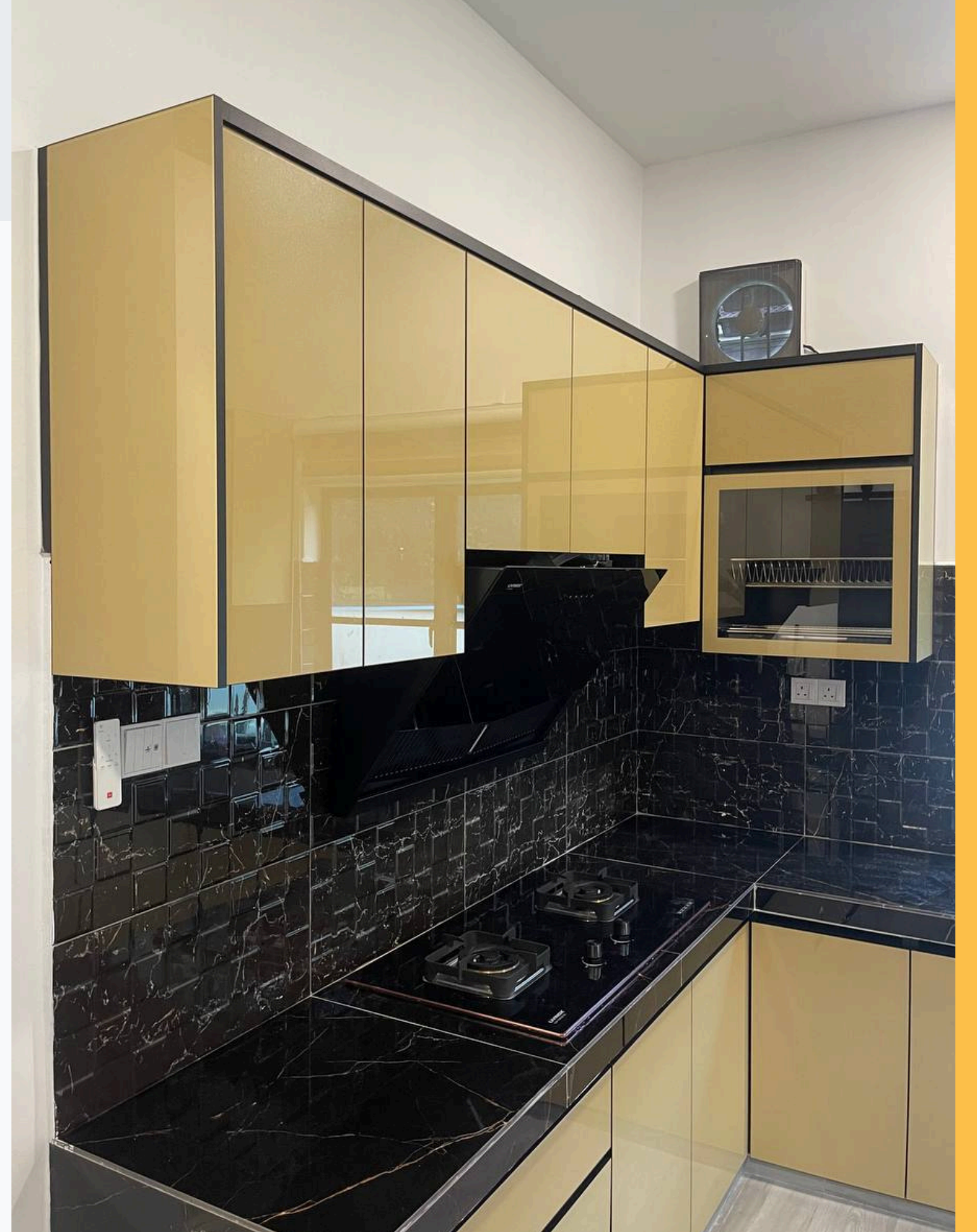
Premium Designs

EVA 01 / 2024

OUR BODY

At Aluminium Kitchen Sdn Bhd, we specialize in providing high-quality kitchen solutions crafted from Fully Aluminium Cabinets & Aluminium Composite Panel Cabinets (ACP).

Our products are designed to meet the highest standards of durability, aesthetics, & functionality, making us a trusted choice for homeowners looking to enhance their kitchen spaces.



SOLID

FULL ALUMINIUM

Our fully aluminium kitchen cabinets can hold up to 35KG.

Made entirely from high-grade aluminium, ensuring superior strength & durability.



SOLID

FULL ALUMINIUM

Fully aluminium cabinets are exceptionally durable, resistant to dents, scratches, & other forms of wear and tear.

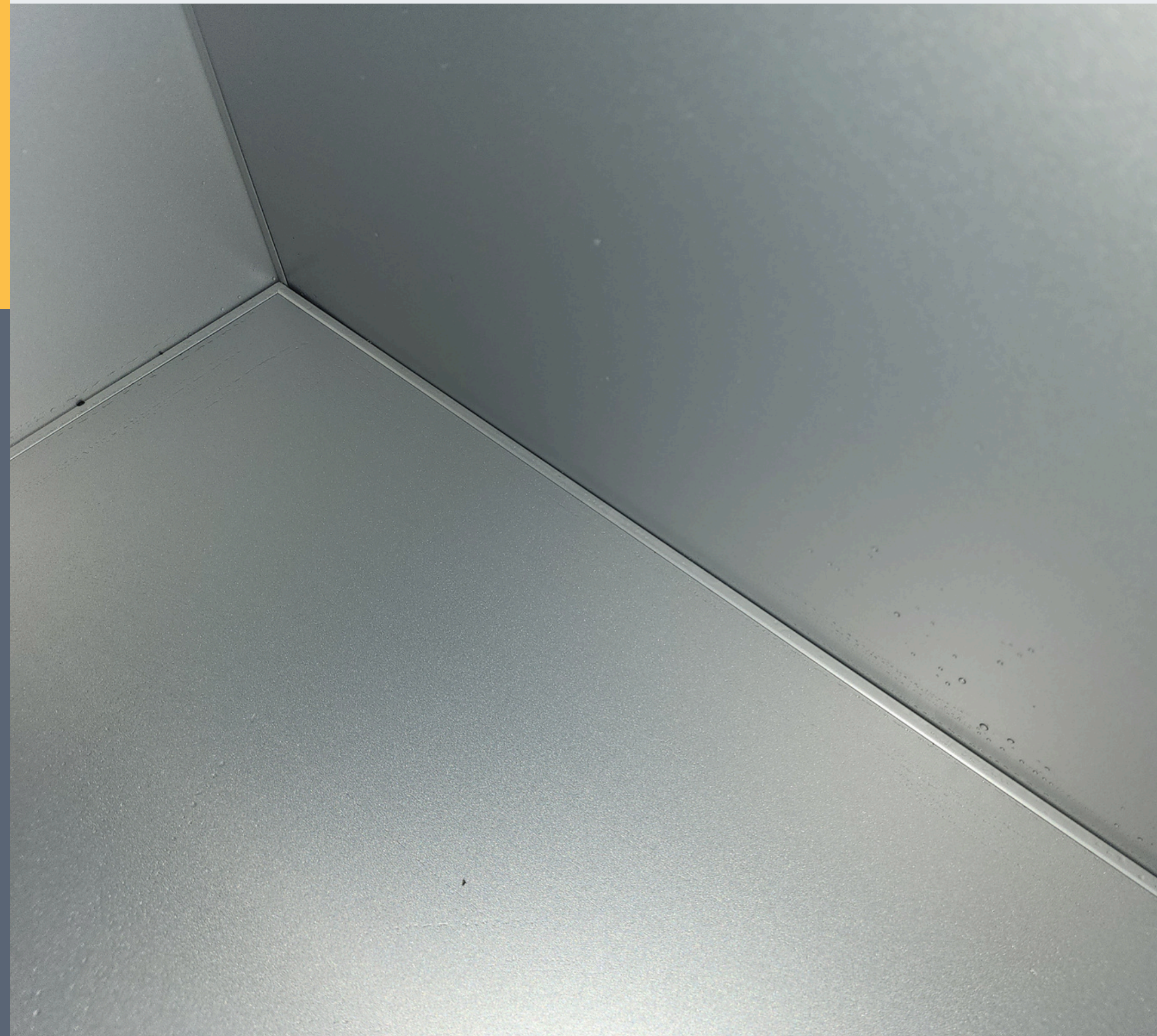
Simple to clean and maintain, ensuring your kitchen always looks pristine.



ALUMINIUM COMPOSITE PANEL

Our ACP kitchen cabinets can hold up to 25KG.

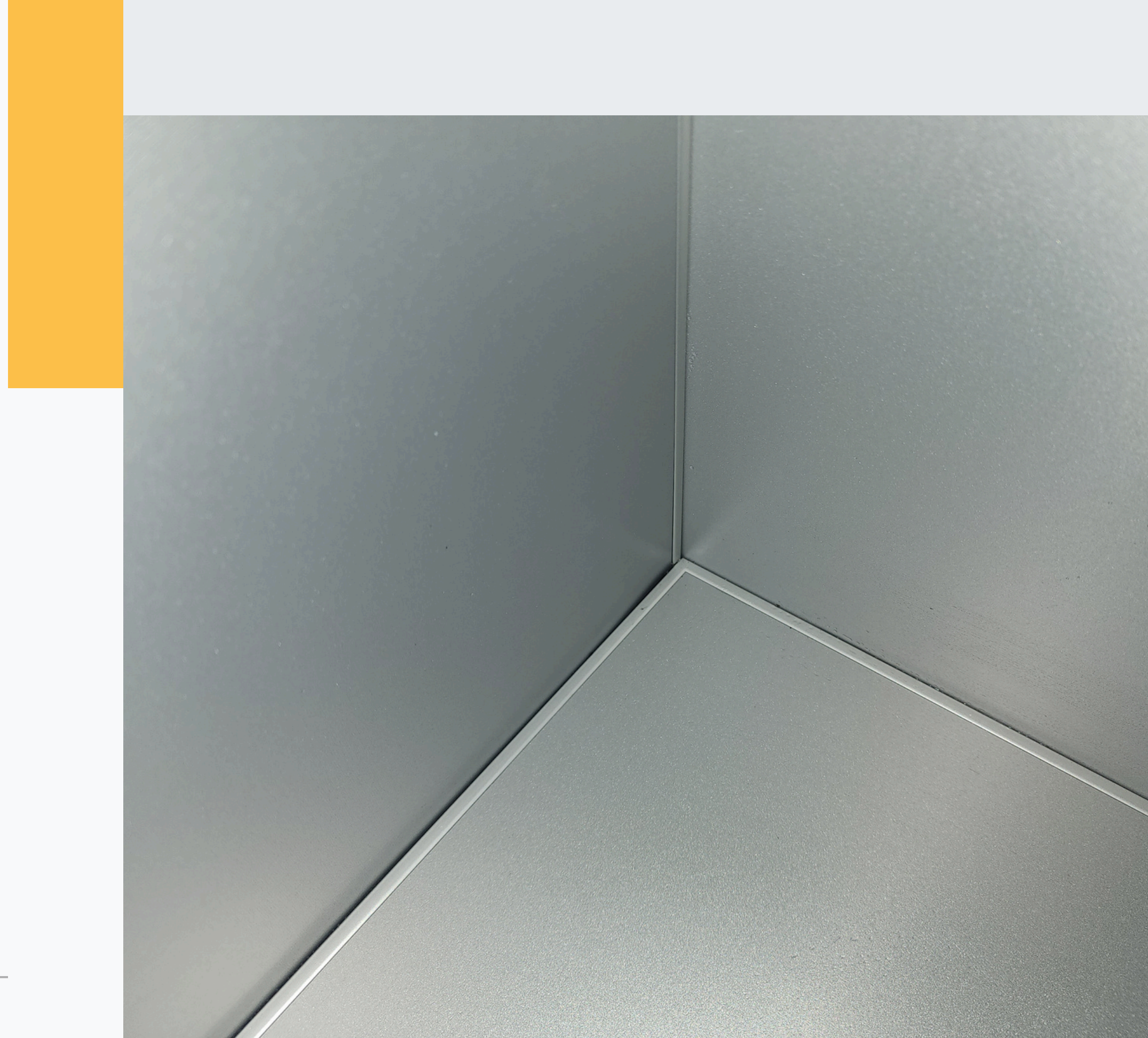
Composed of a lightweight aluminium composite, these panels offer both flexibility & strength.



ALUMINIUM COMPOSITE PANEL

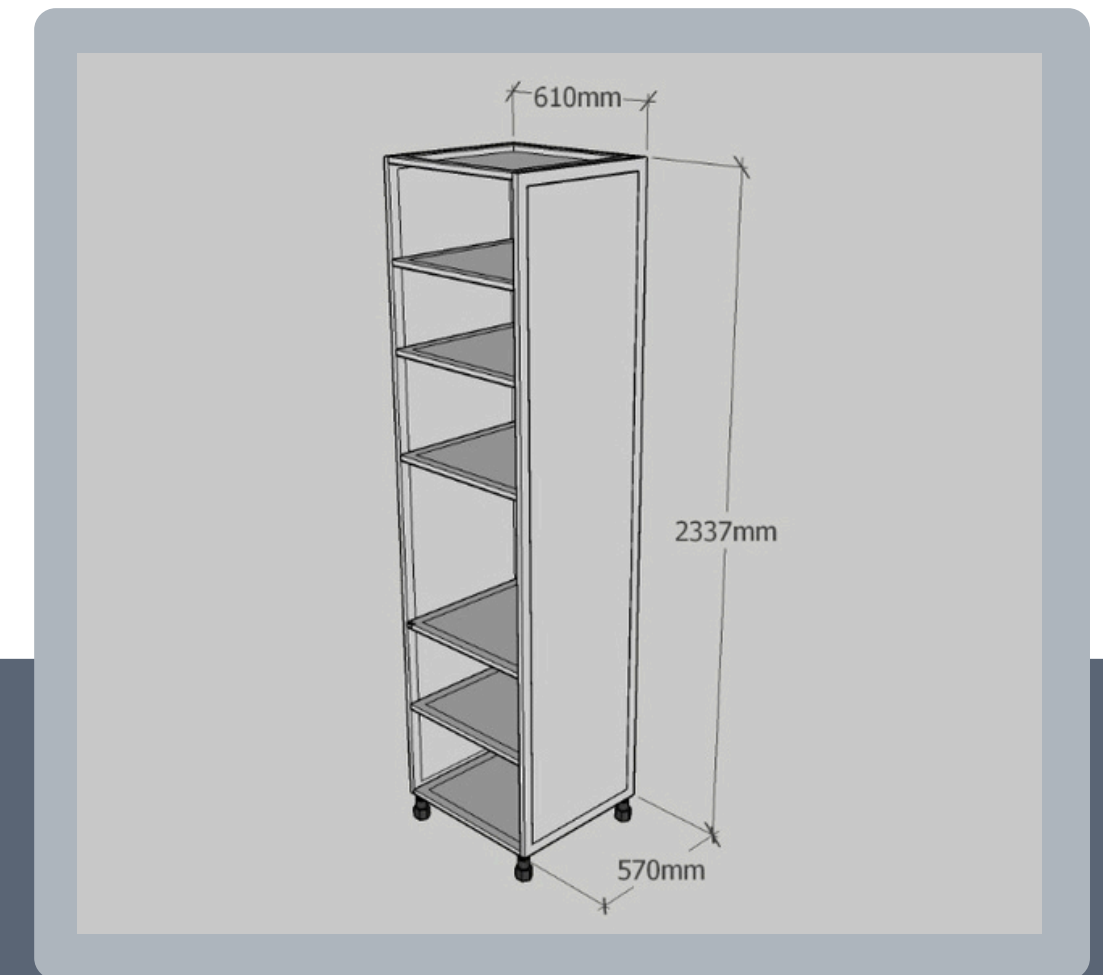
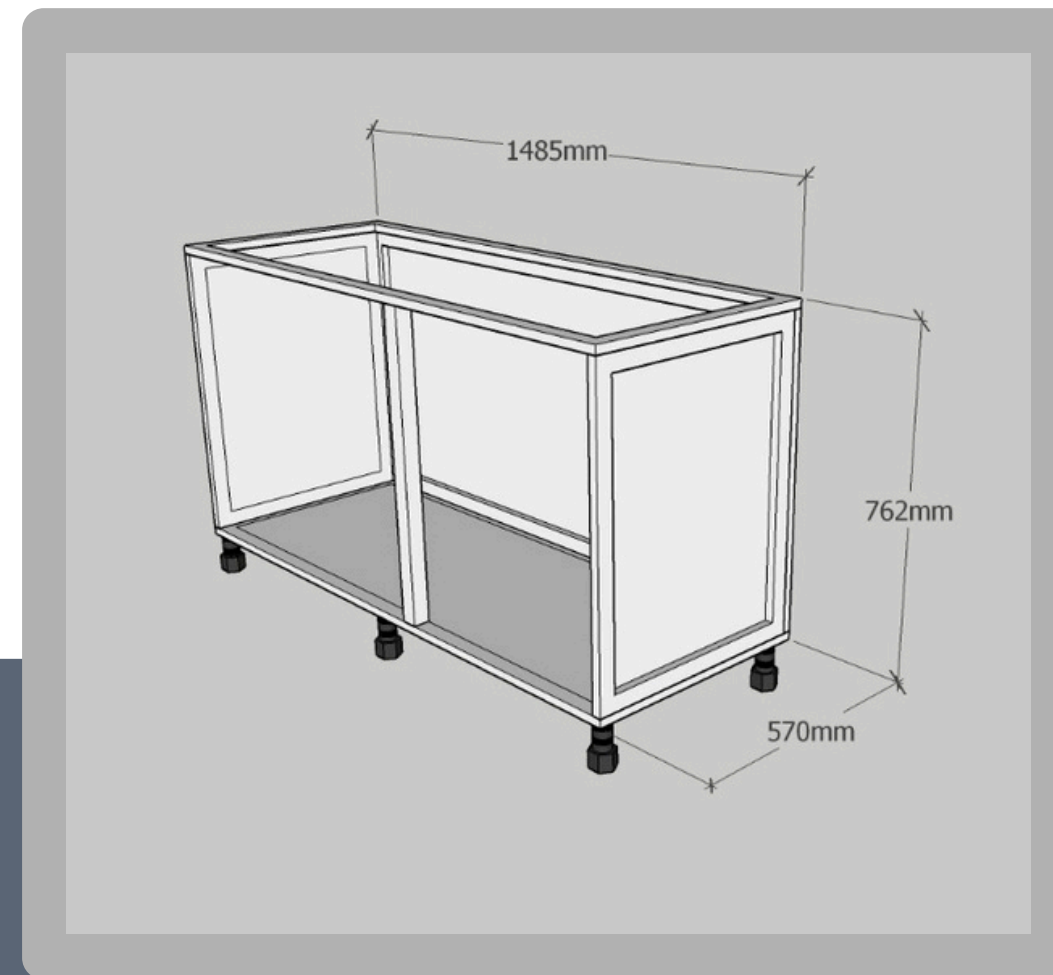
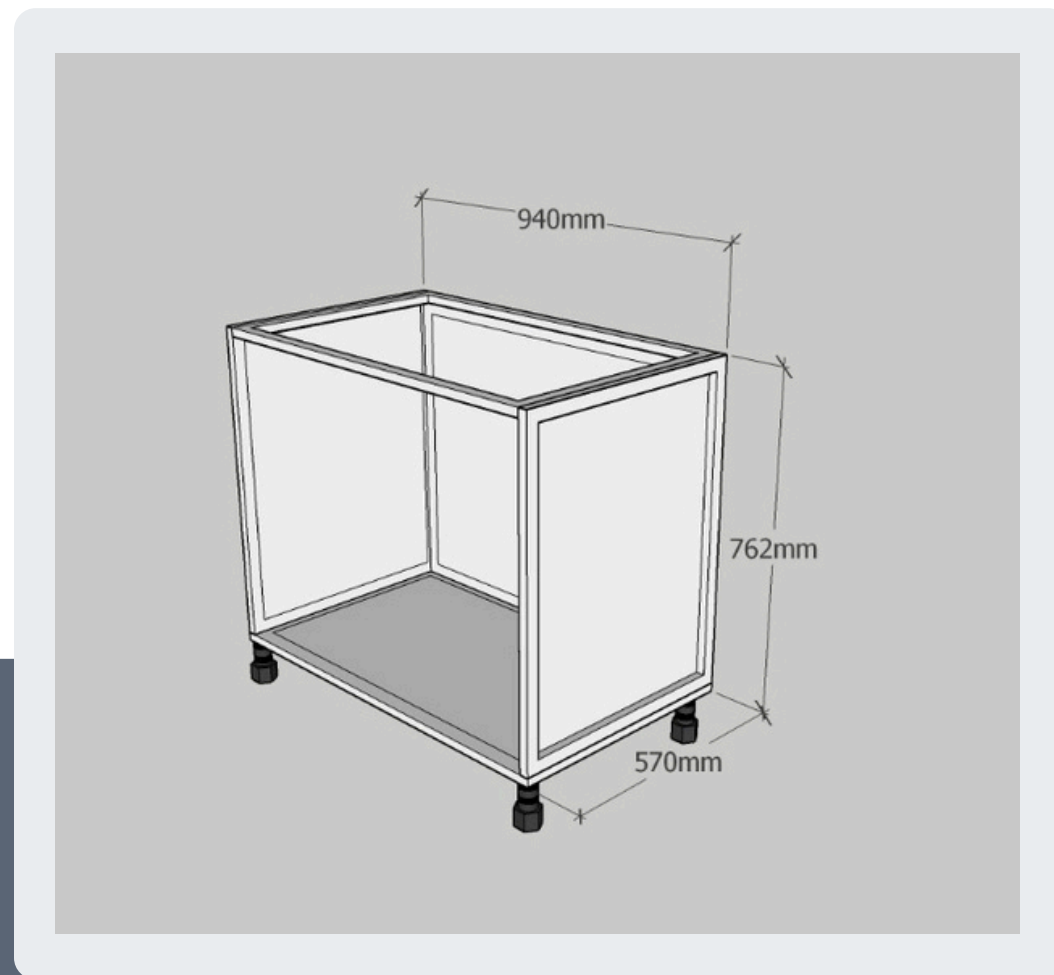
ACP materials are recyclable, making them an eco-conscious choice.

Provides a premium look at a more affordable price point. ACP offers a budget-friendly alternative without compromising on quality or appearance.



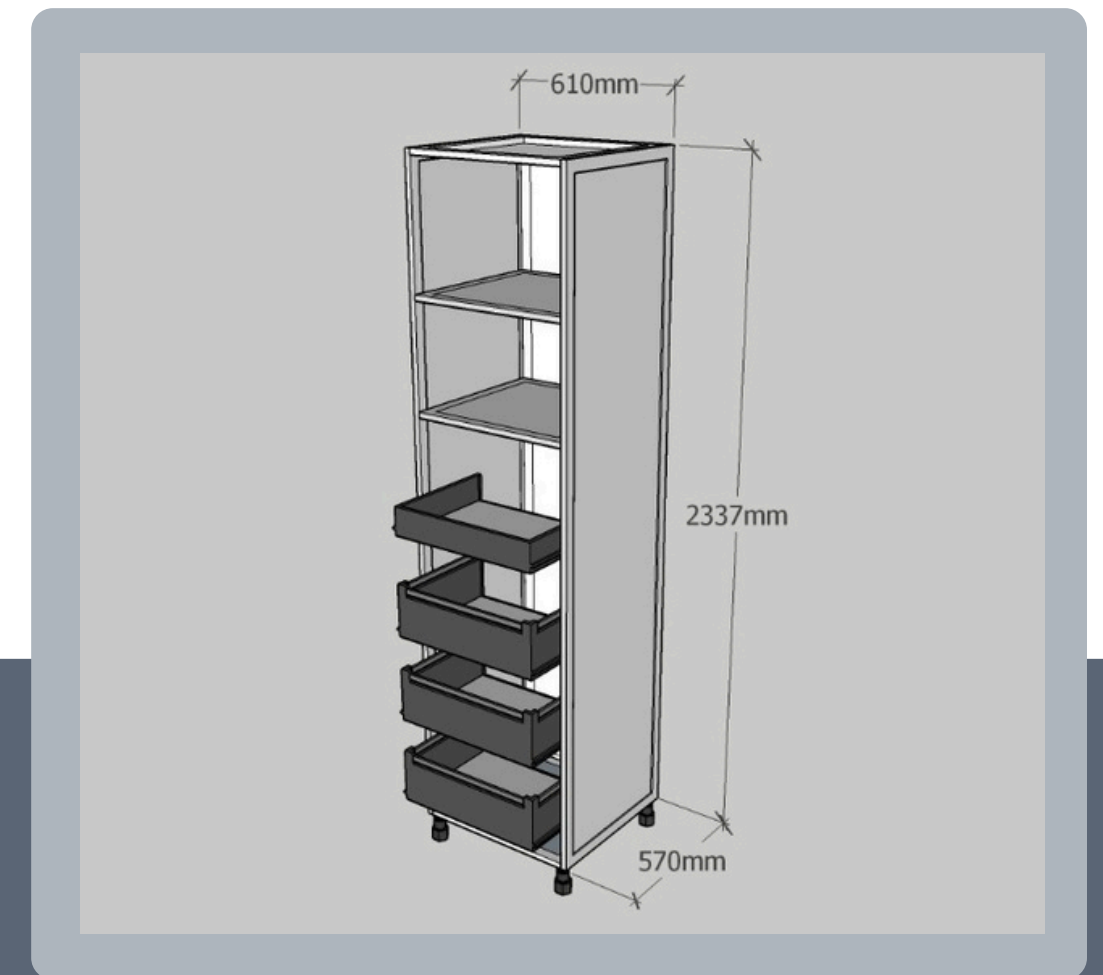
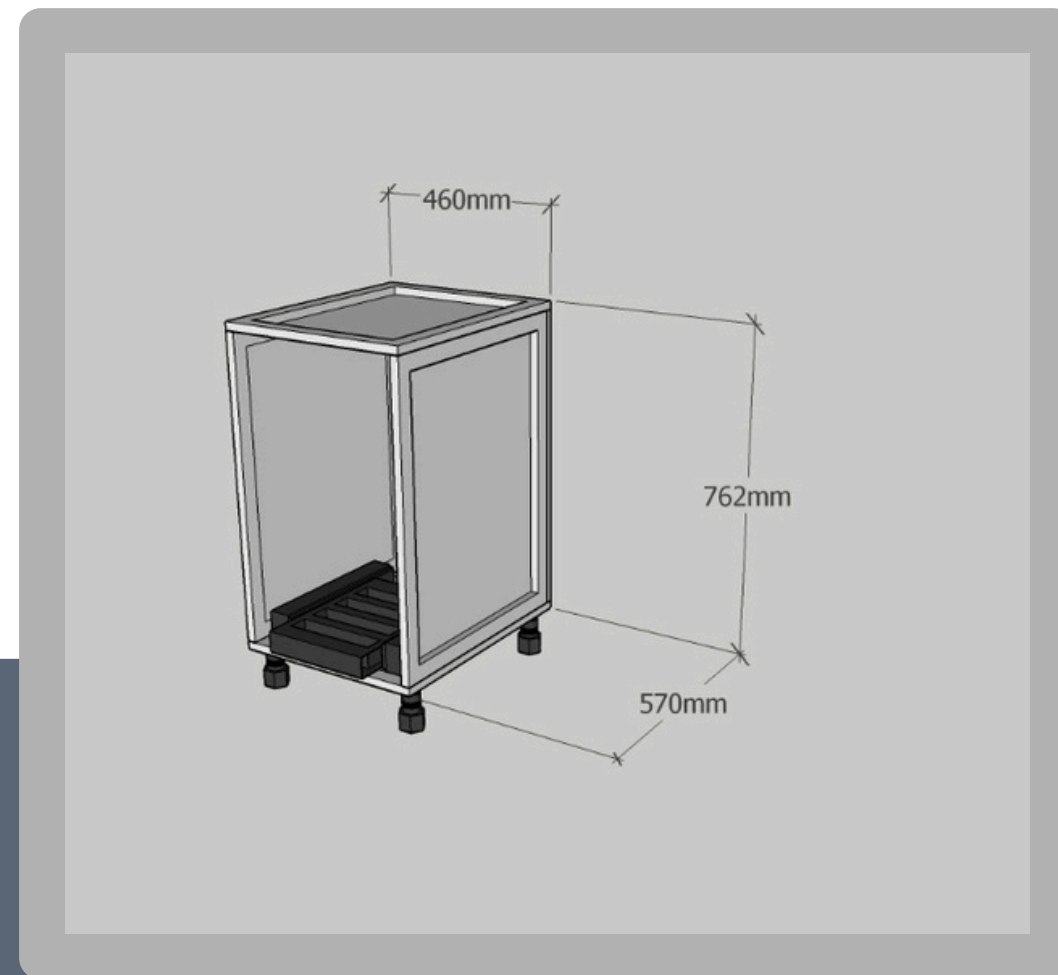
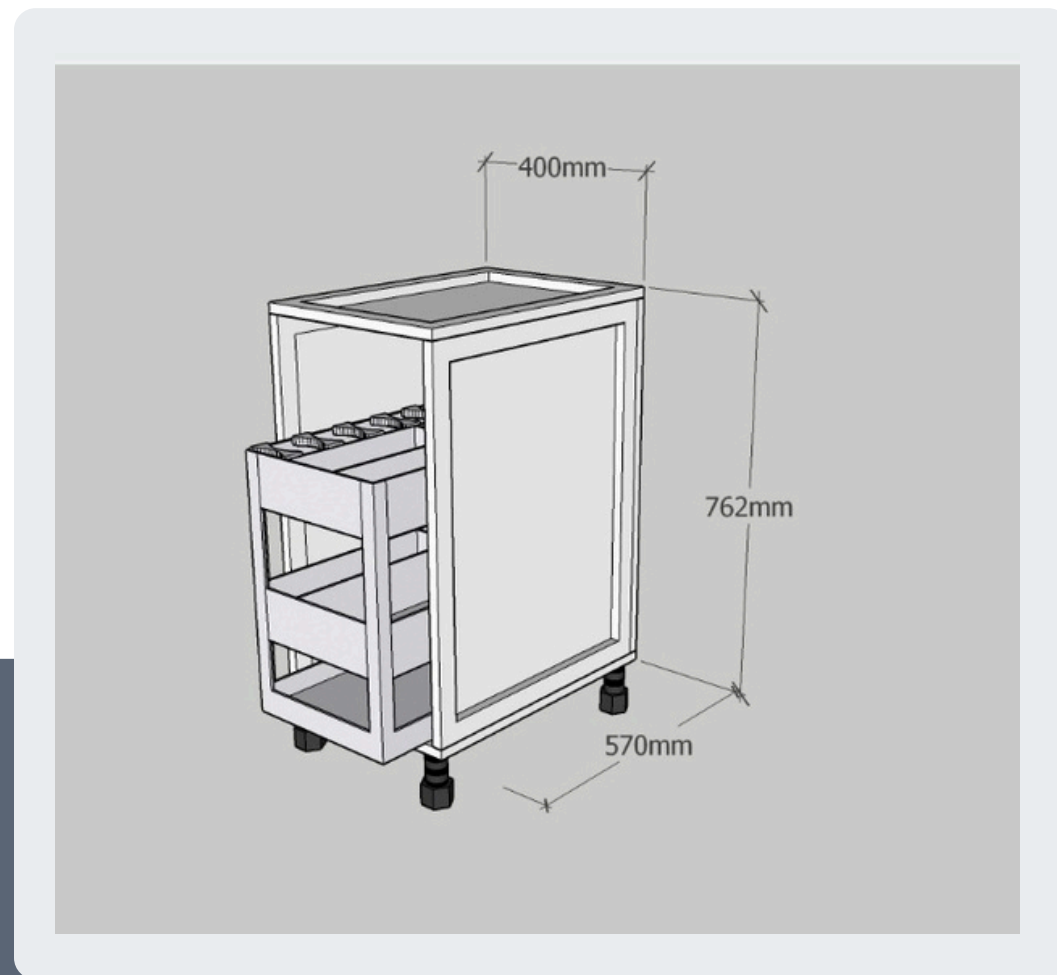
BODY

Provide an explanation of the best catalogue of the product we have. Arrange information about our products catalogue in a systematic and fact-based manner. Also, express our pride in the product that we have done well.



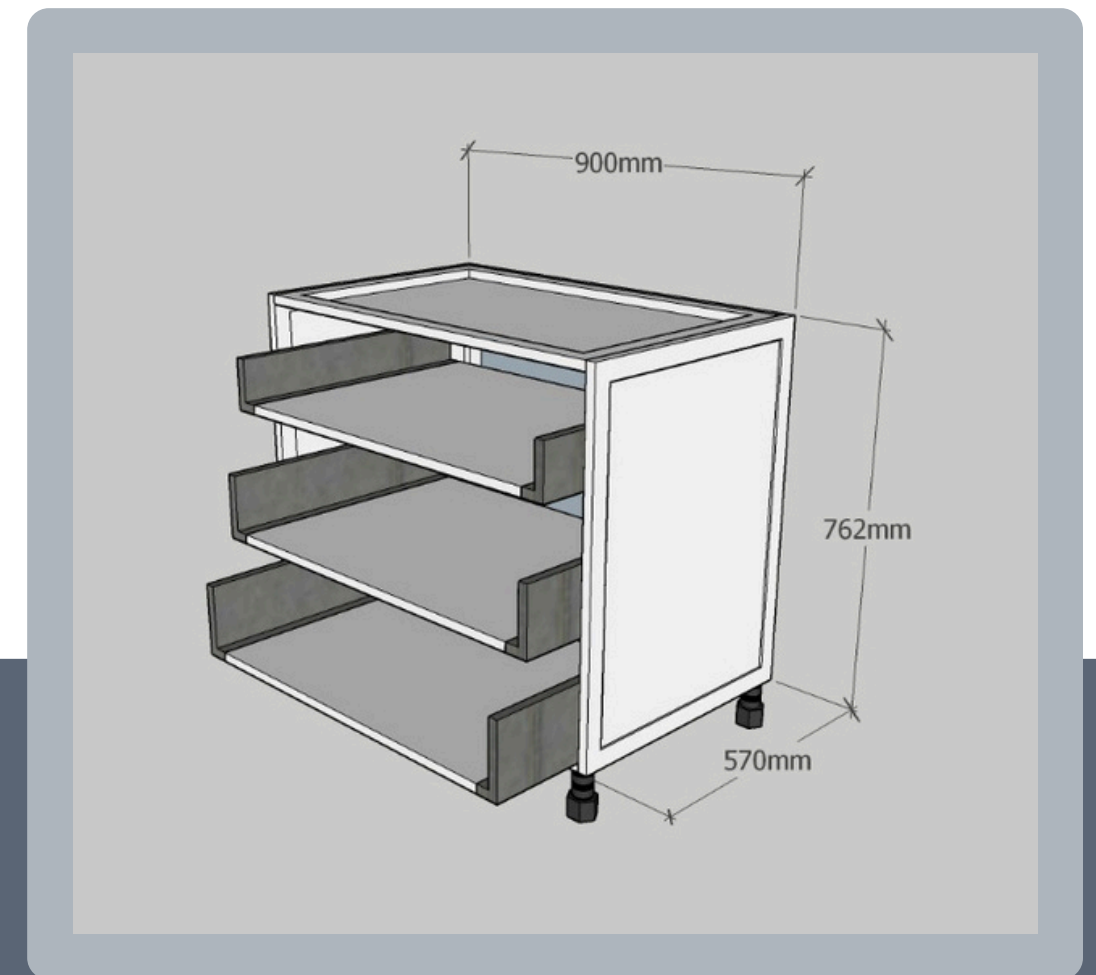
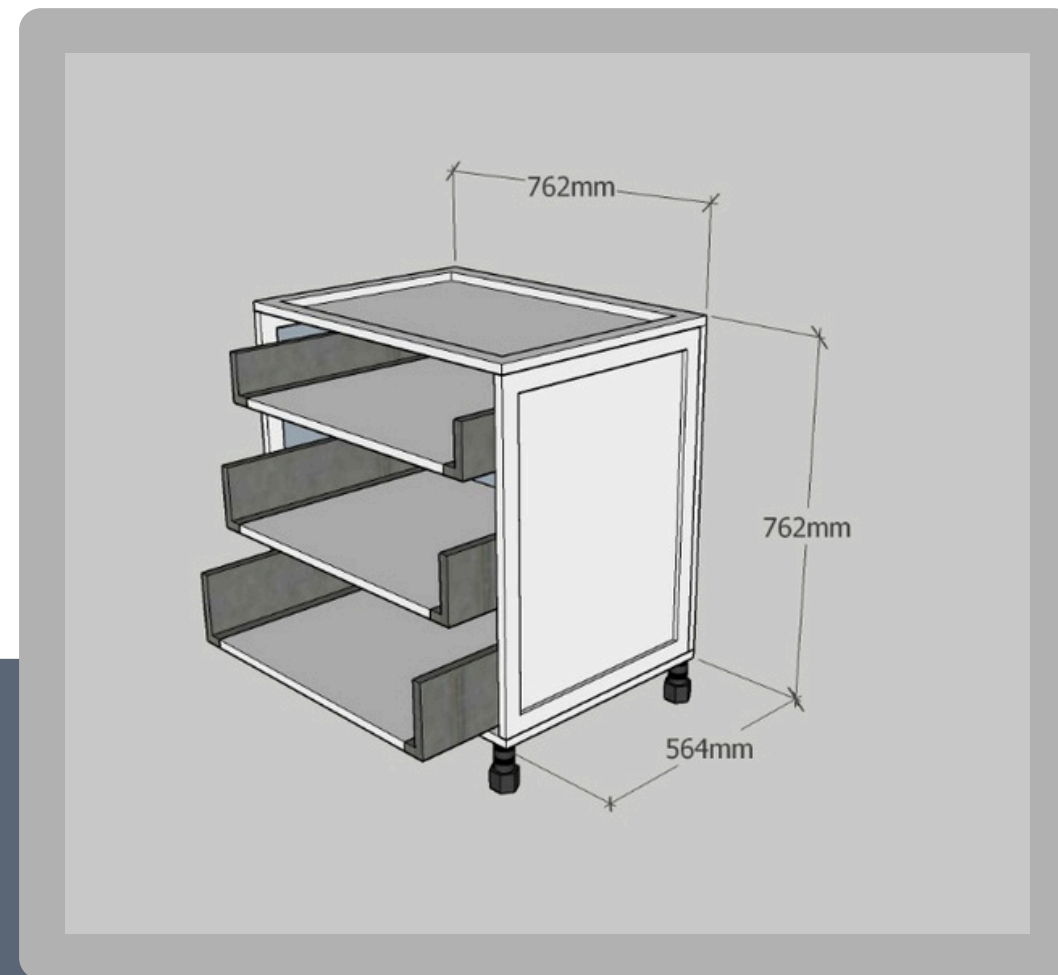
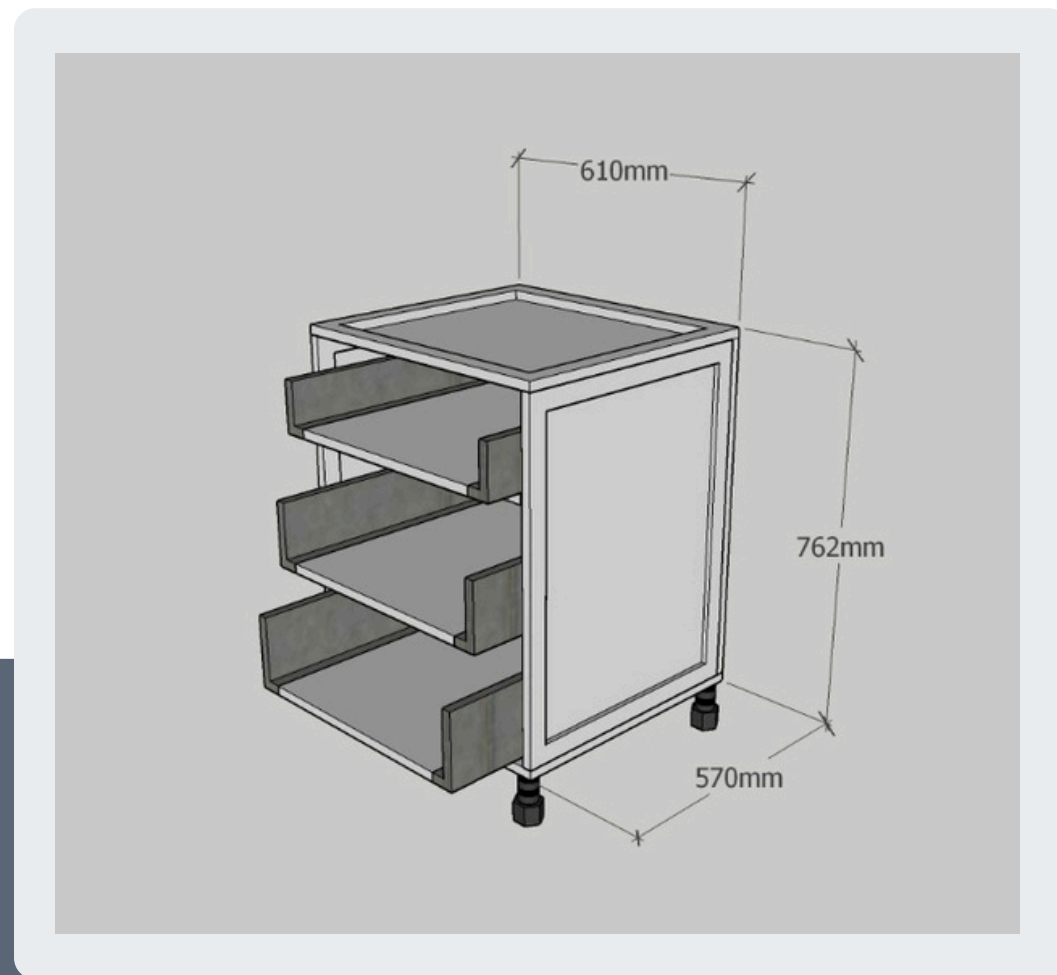
TRAYS & PANTRY DRAWERS

Provide an explanation of the best catalogue of the product we have. Arrange information about our products catalogue in a systematic and fact-based manner. Also, express our pride in the product that we have done well.



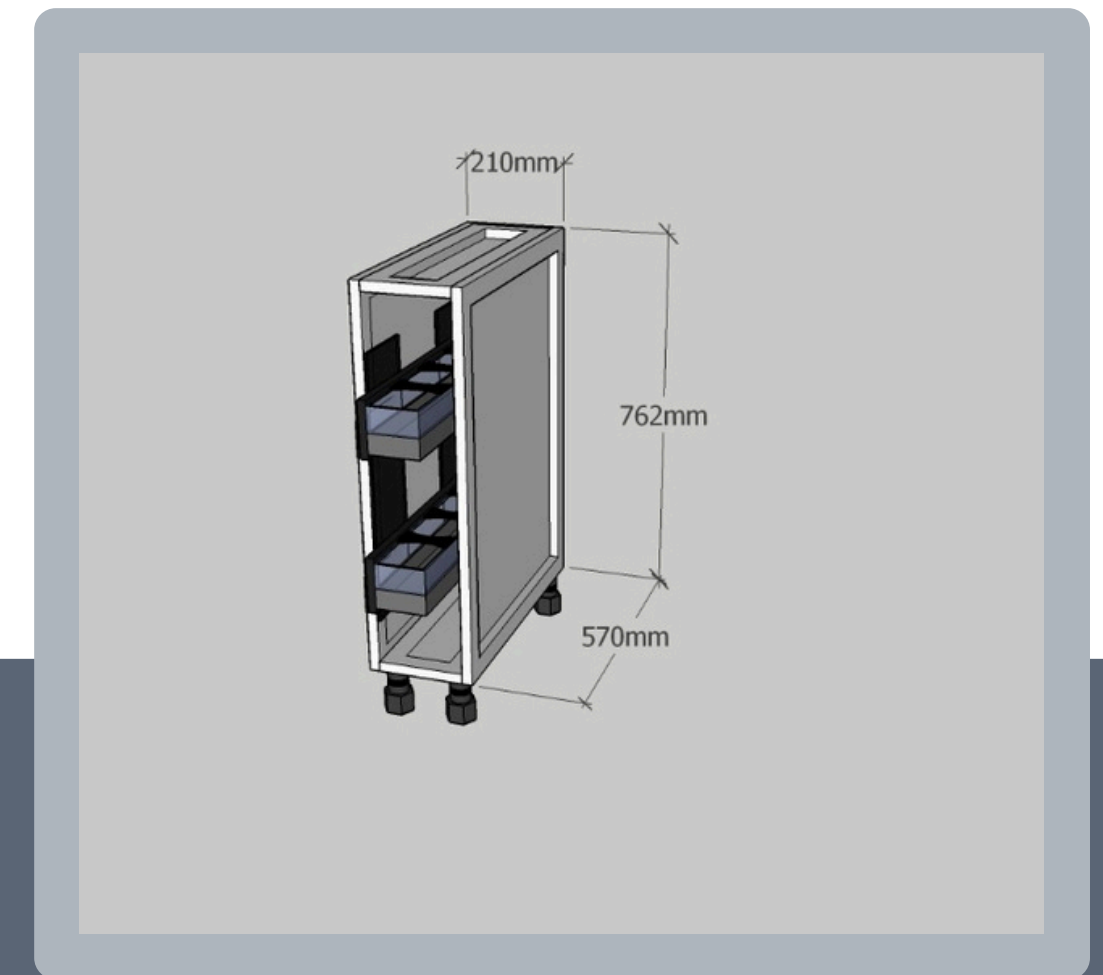
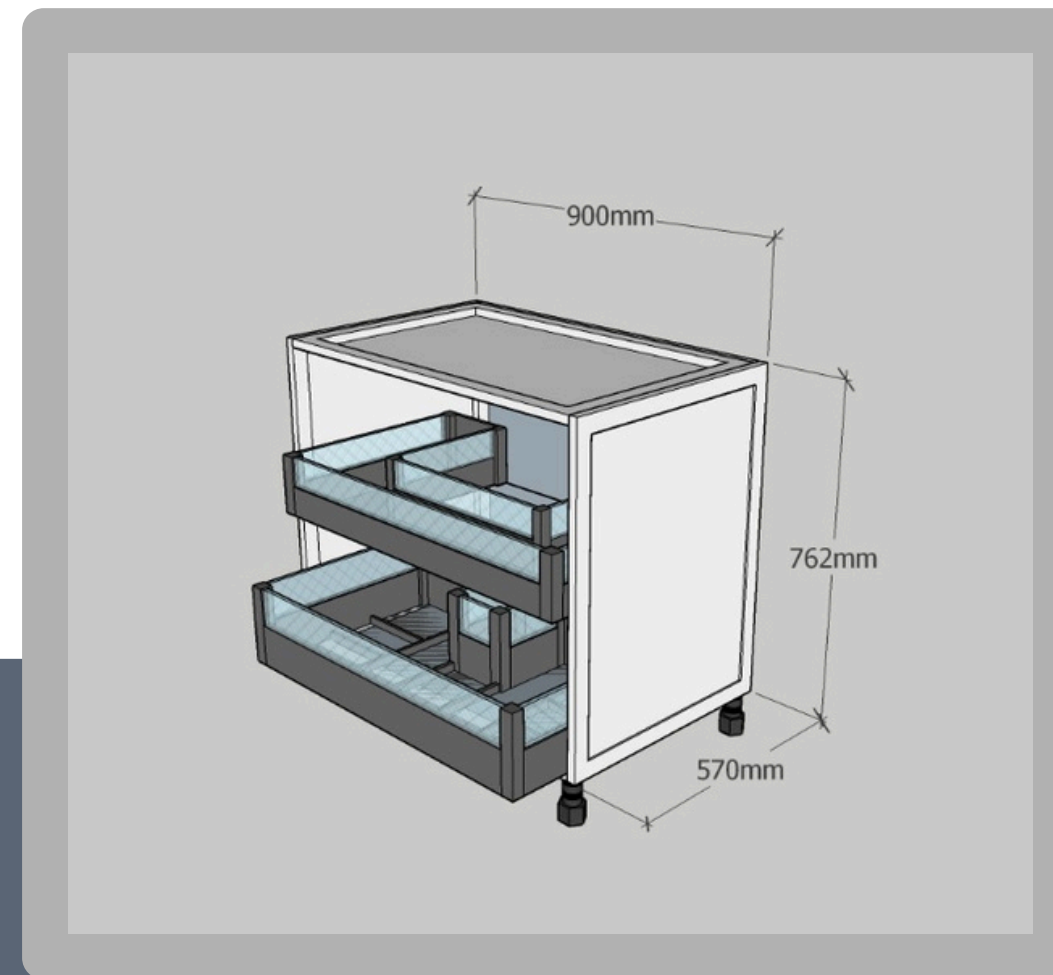
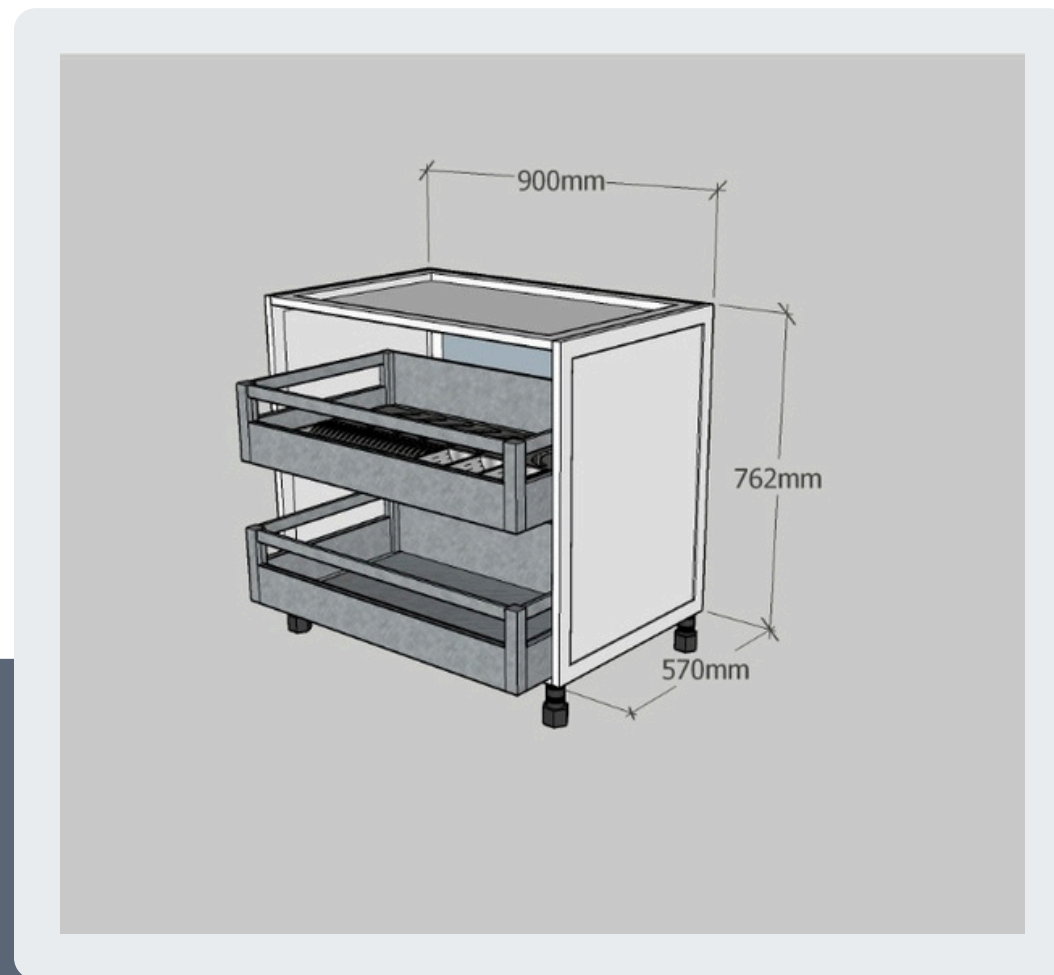
DRAWERS

Provide an explanation of the best catalogue of the product we have. Arrange information about our products catalogue in a systematic and fact-based manner. Also, express our pride in the product that we have done well.

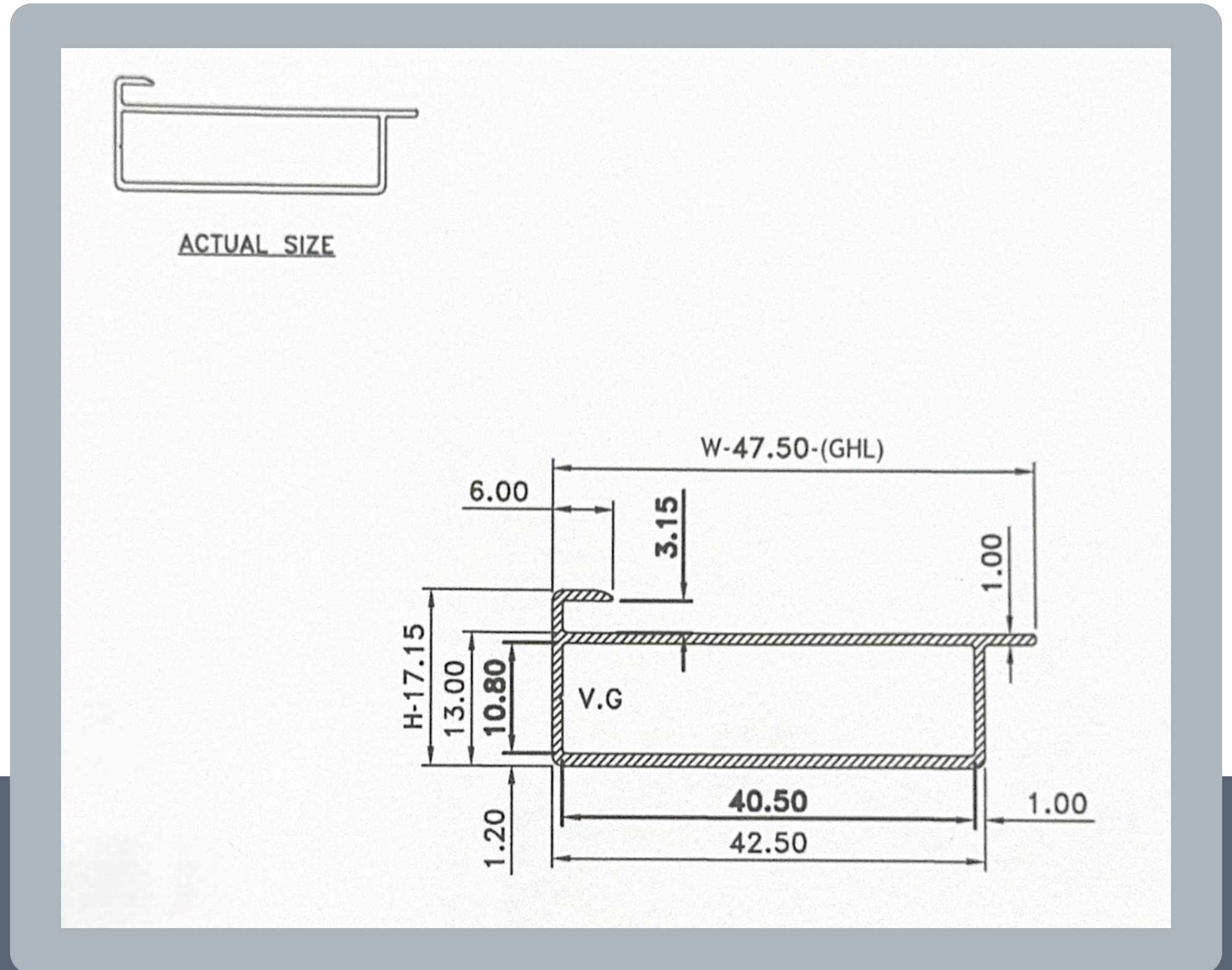


DRAWER ACCESSORIES

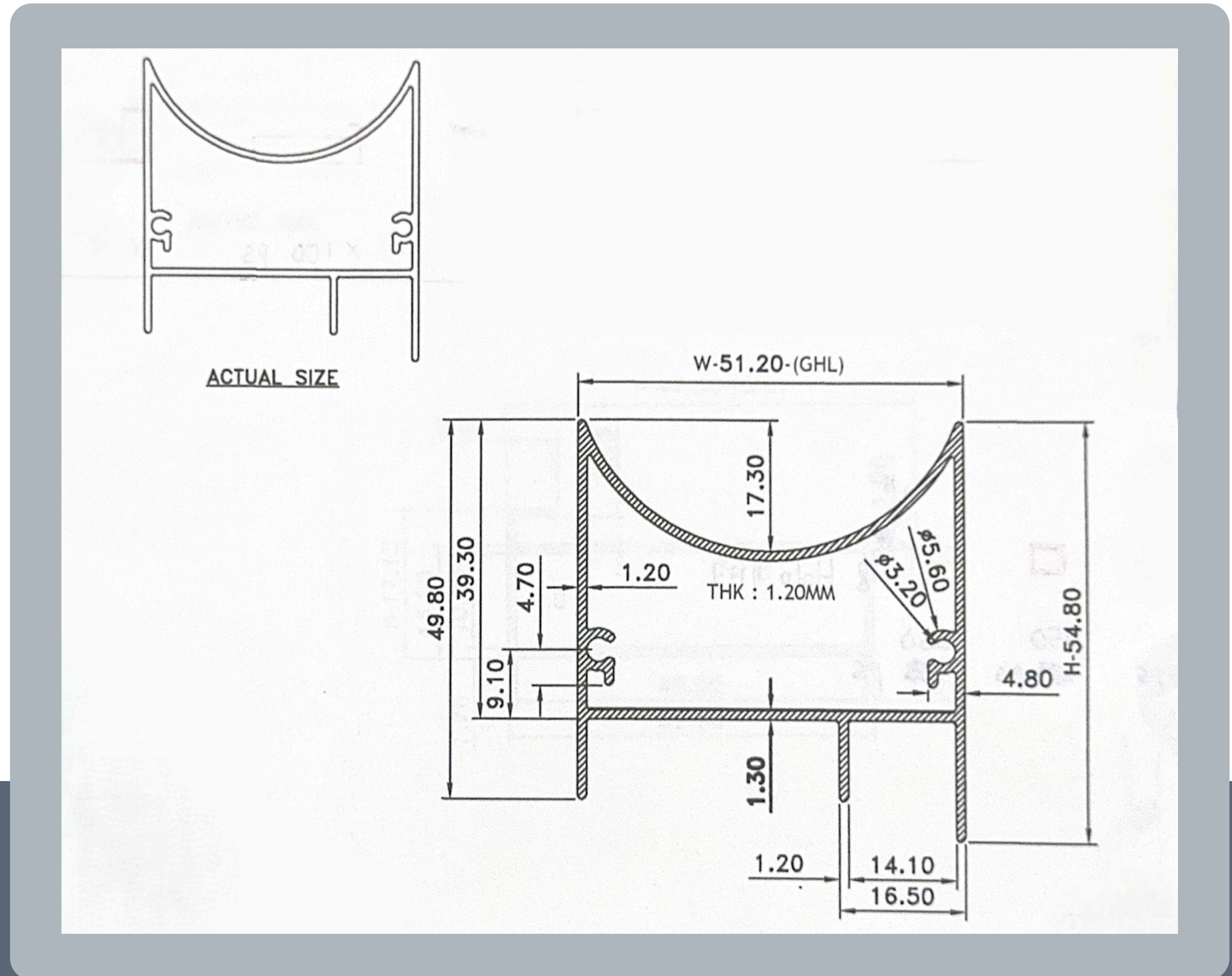
Provide an explanation of the best catalogue of the product we have. Arrange information about our products catalogue in a systematic and fact-based manner. Also, express our pride in the product that we have done well.



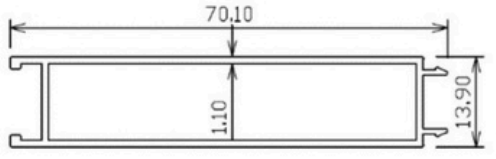

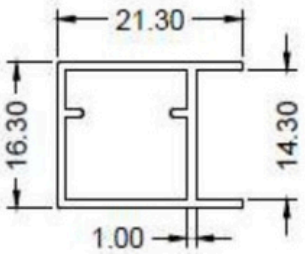
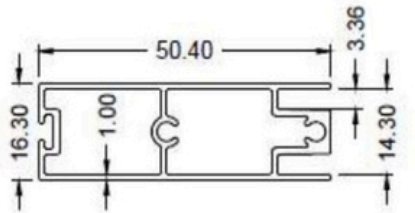
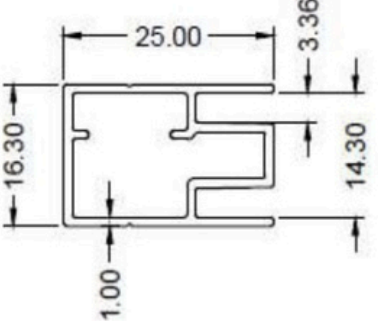
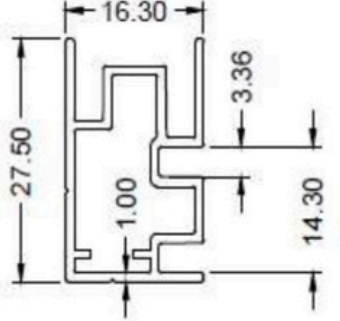
L - HANDLE



C - HANDLE



PROFILES

		
<p>Weight : 0.500kg/m, AP : 187.54mm</p>	<p>Weight : 0.300kg/m, AP : 220.45mm</p>	<p>Weight : 0.205kg/m, AP : 85.23mm</p>
<p>Product Code : FC-11016</p>	<p>Product Code : FC-11060</p>	<p>Product Code : FC-11015</p>
<p>Description : Solid Body Cabinet</p>	<p>Description : Half Solid Body</p>	<p>Description : Cabinet</p>
		
<p>Weight : 0.505kg/m, AP : 179.00mm</p>	<p>Weight : 0.280kg/m, AP : 119.00mm</p>	<p>Weight : 0.343kg/m, AP : 162.00mm</p>
<p>Product Code : FC-11019</p>	<p>Product Code : FC-11017</p>	<p>Product Code : FC-11018</p>
<p>Description : Cabinet</p>	<p>Description : Cabinet</p>	<p>Description : Cabinet</p>

PROFILES

<p>Weight : 0.315kg/m, AP : 134.00mm</p>	<p>Weight : 0.799kg/m, AP : 273.00mm</p>	<p>Weight : 0.330kg/m, AP : 135.00mm</p>
<p>Product Code : FC-11020 Description : Cabinet</p>	<p>Product Code : FC-11021 Description : Cabinet</p>	<p>Product Code : FC-11028 Description : Cabinet</p>
<p>Weight : 0.230kg/m, AP : 103.22mm</p>	<p>Weight : 0.447kg/m, AP : 149.44mm</p>	<p>Weight : 0.723kg/m, AP : 234.06mm</p>
<p>Product Code : FC-11036 Description : Cabinet</p>	<p>Product Code : FC-11037 Description : Cabinet</p>	<p>Product Code : FC-11038 Description : Cabinet</p>